

TimberVu Direct Set (W600/W605)

Technical Data Sheet

Frame/Sash

- Architectural Grade 6063-T63 Aluminum
- Azo-Core Thermal Break (Mainframe/Sash)
- 45 Degree Mitered Mainframe/Sash Corners
- Silicone Injected Corner Keys
- 4-1/8" Overall Frame Depth
- 1-5/8" Narrow Exterior Sightlines
- 2-7/8" Exterior Sightlines
- 1-1/4" Pre-Punched Nail Fin
- Overlapping Sash to Mainframe
- Pine Interior
- 4-9/16" & 6-9/16" Jamb Extension Options Available

Mulling Options

- Continuous Frame Configurations
- Field Applied Structural Mulls

Grid Options

- Grids Between the Glass
- Simulated Divided Lites

Paint

- 2604/2605 FGIA High Performance Powder Coatings
- 30 Standard Colors
- Custom Colors available

Weather stripping

- Bulb Seal Gaskets

Glazing

- Beveled/Square Exterior Glazing Stops
- Quanex Super Spacer
- 100% Silicone Wet Glaze
- Double/Triple Insulated Glass Options
- Annealed, Tempered, Laminated and Obscure Glass Options Available

TimberVu Direct Set (W600/W605)		
NAFS Rating	AW-PG100	
Design Pressure (P.S.F.)	100	
Air Infiltration at 25 MPH (cfm/ft ²)	<0.05	
Water Resistance	15	
U-Value (Based on Cardinal 366 Low-E/Argon Fill)	0.26	
SHGC (Based on Cardinal 366 Low-E/Argon Fill)	0.24	
Frame Sizing	Width	Height
Minimum	15"	15"
Maximum	144"	144"



Quaker Window Products
 504 U.S. Hwy 63 South
 Freeburg, MO 65035
 (800) 347-0438
www.quakerresidentialwindows.com

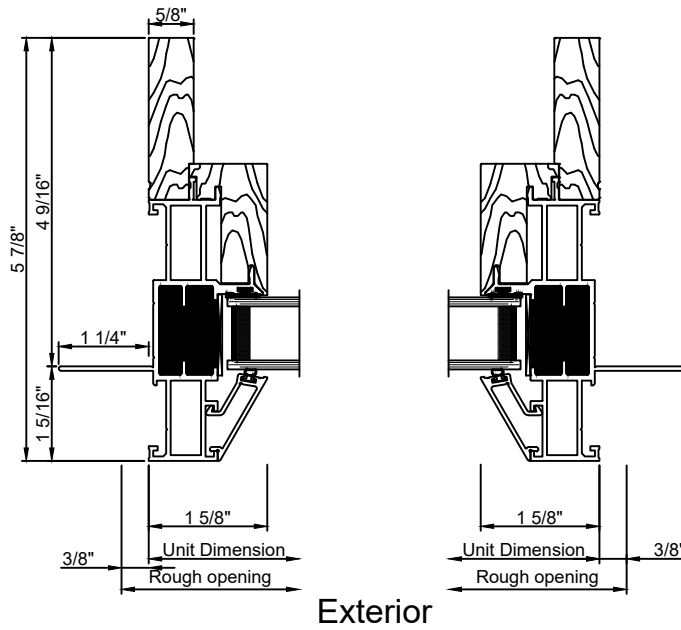
Discover More Here:



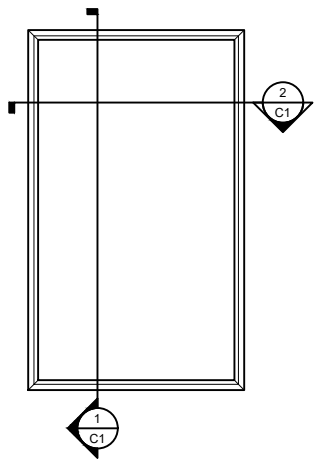
QTZ-TV-DST-0324

TimberVu (W605) Bevel Direct Set Window

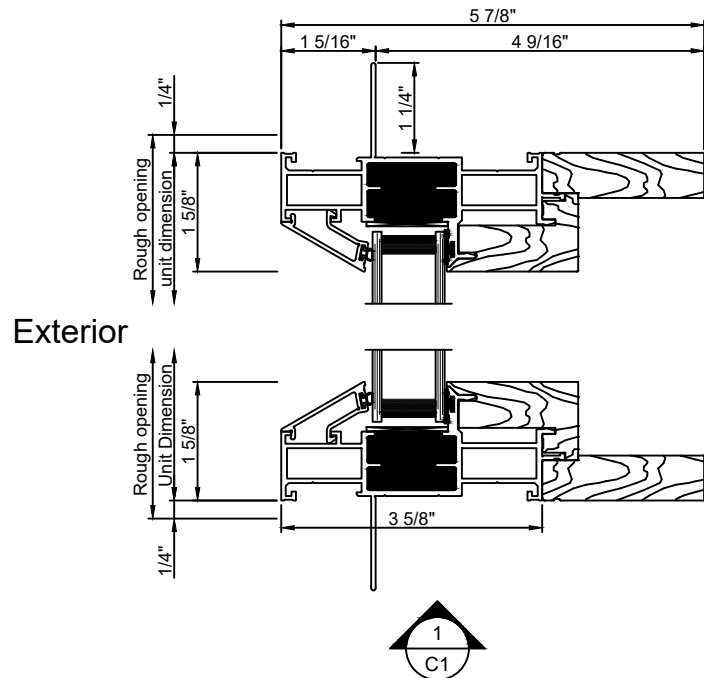
Cross section details



Window cut sections 3/8" = 0' 1"



Window Elevation 3/8" = 1' 0"

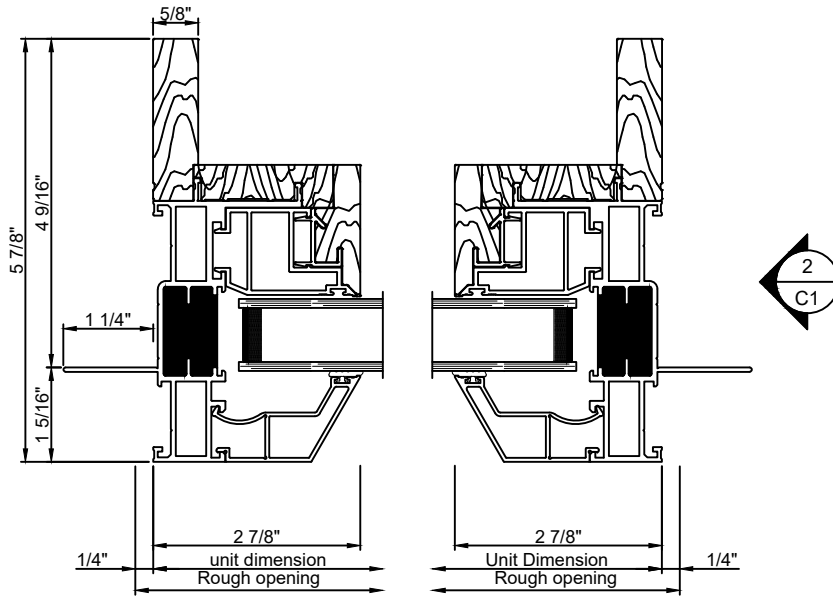


Window cut sections 3/8" = 0' 1"

Note: All dimensions are approximate. Quaker reserves the right to change specifications without notice.

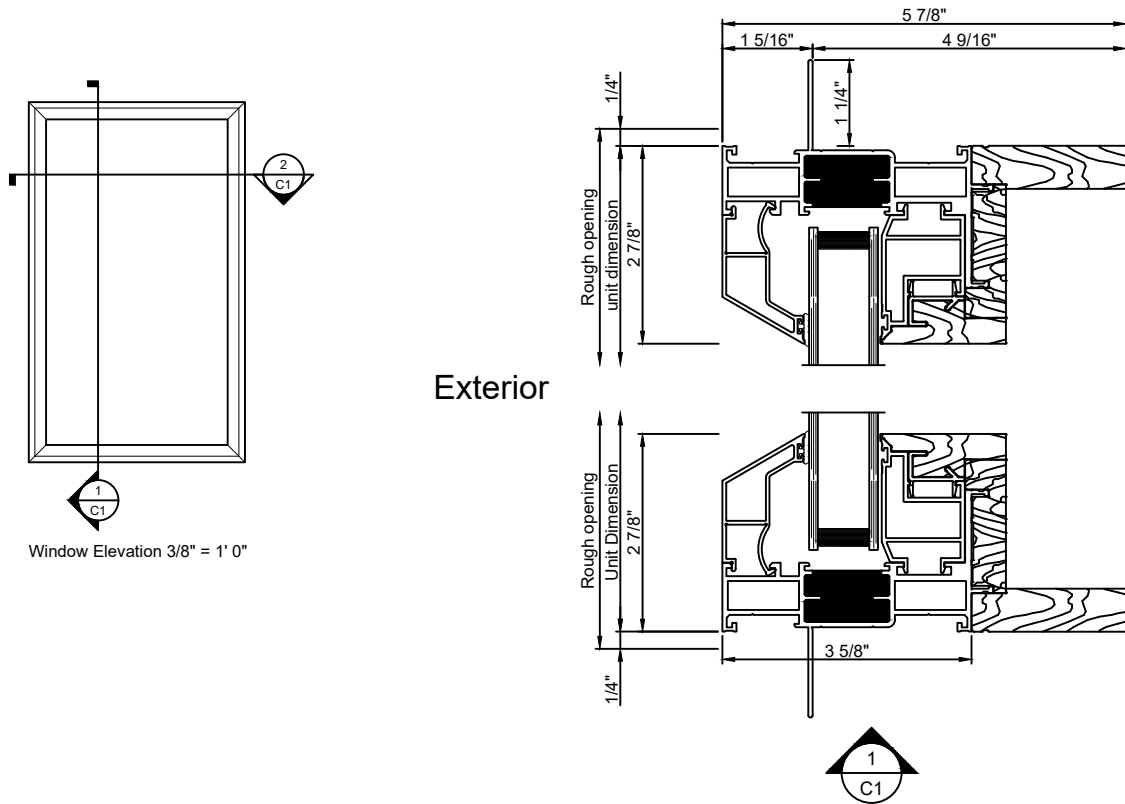
TimberVu (W605) Bevel Direct Set Wide Window

Cross section details



Window cut sections 3/8" = 0' 1"

Exterior



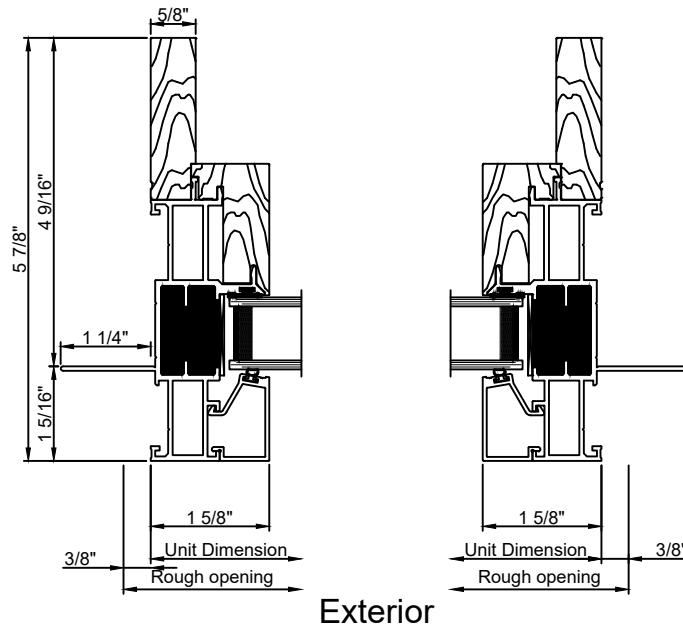
Window Elevation 3/8" = 1' 0"

Window cut sections 3/8" = 0' 1"

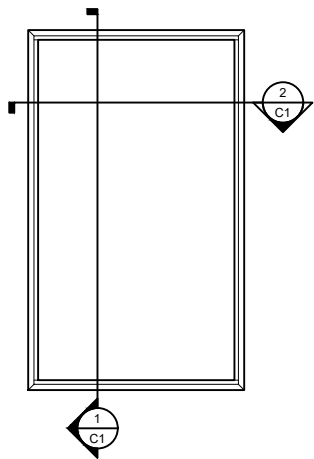
Note: All dimensions are approximate. Quaker reserves the right to change specifications without notice.

TimberVu (W600) Square Direct Set Window

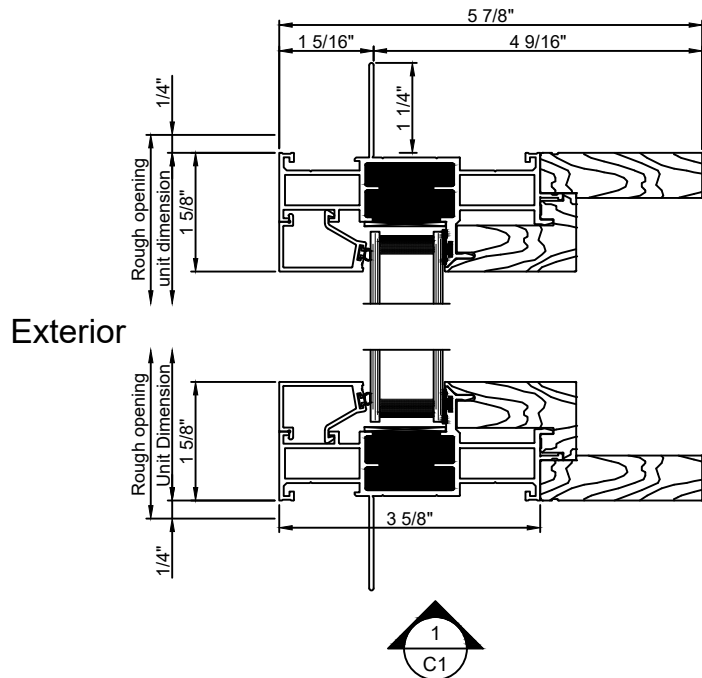
Cross section details



Window cut sections 3/8" = 0' 1"



Window Elevation 3/8" = 1' 0"

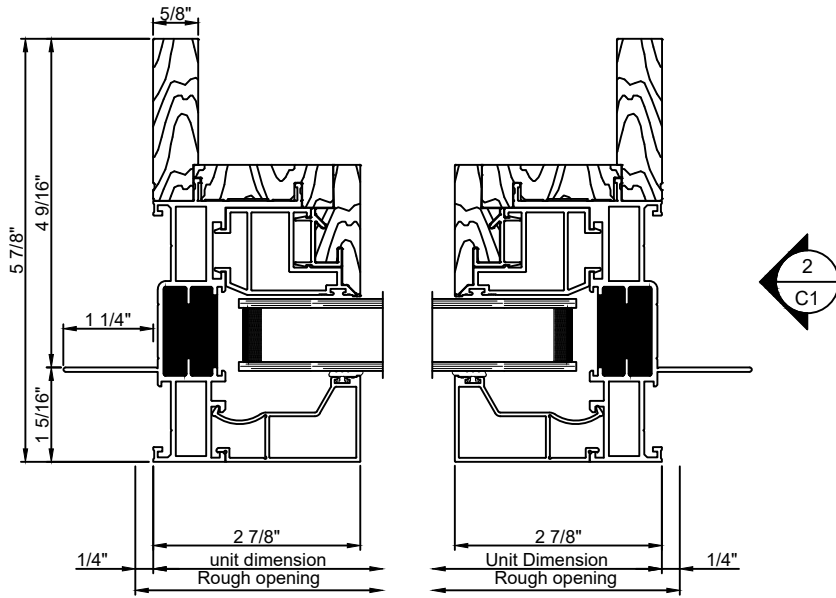


Window cut sections 3/8" = 0' 1"

Note: All dimensions are approximate. Quaker reserves the right to change specifications without notice.

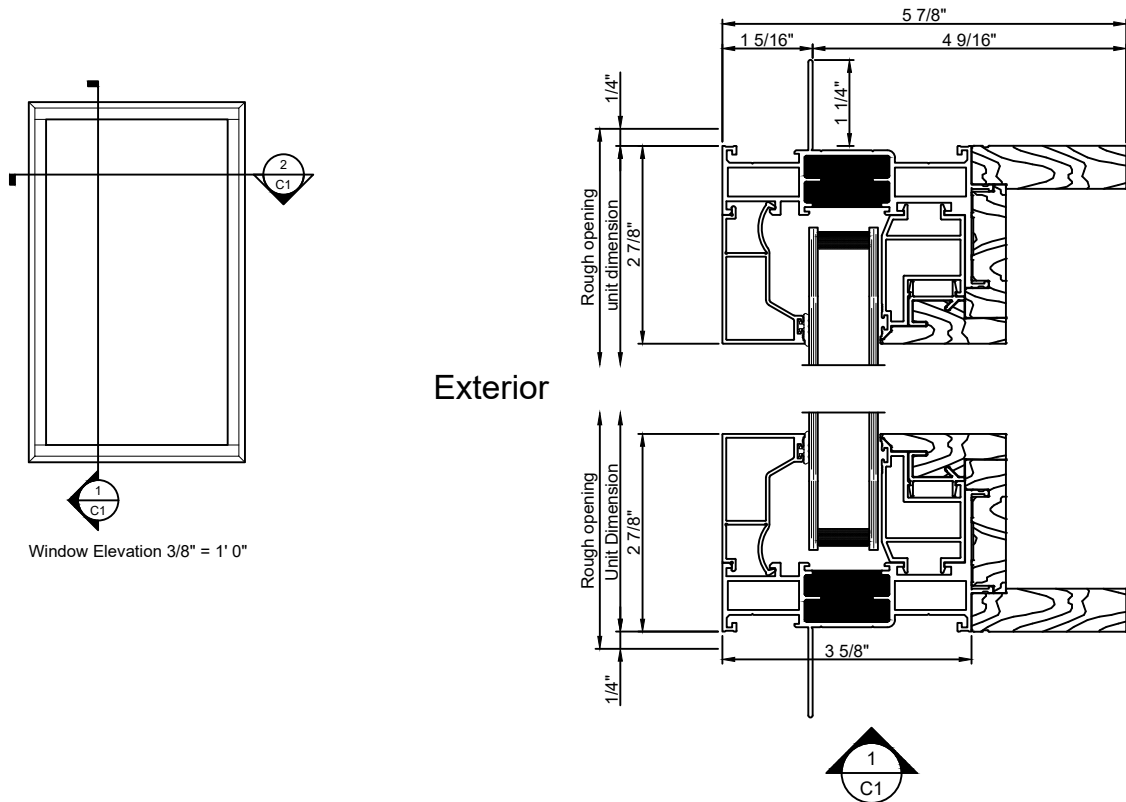
TimberVu (W600) Square Direct Set Wide Window

Cross section details



Window cut sections 3/8" = 0' 1"

Exterior



Window Elevation 3/8" = 1' 0"

Window cut sections 3/8" = 0' 1"

Note: All dimensions are approximate. Quaker reserves the right to change specifications without notice.